

ACTIVE

TOTAL HOME AIR PURIFICATION

SUBMITTAL

The Dust Free® Active Air Purification System is designed to be installed into an existing HVAC system for improved indoor air quality. Please read and follow all service procedures outlined in the manual.

Dimensions: See Fig.1

Weight:

3 lbs.

Warranty:

7-yr power module. 4-yr core. 2-yr lamp.

Electrical:

The unit uses an electronic power module. The device must be installed in compliance with all national and local electrical and mechanical codes.

24V (Expanded range ballast: 20V-32V), 50/60Hz, 1.4A. 3000V surge protection.

Temperature:

45 F - 150 F (Outside of duct).

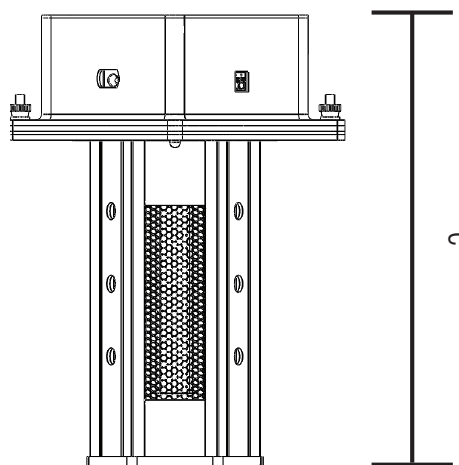
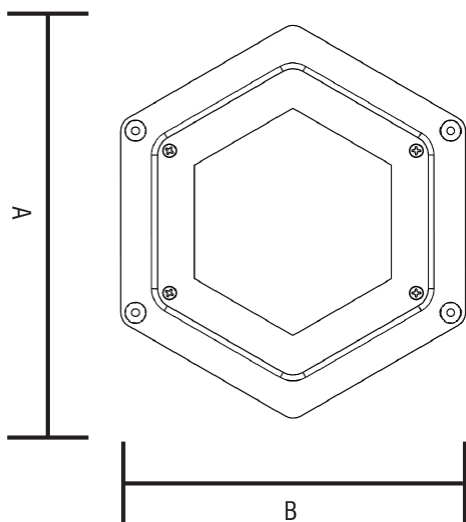
Airflow:

6" Unit - Up to 2000 CFM.

12" Unit - Up to 3000 CFM.

Air flow specification subject to pollutant levels.

Fig. 1 Dimensions of unit.



MODEL	DIM. A	DIM. B	DIM. C
6" Unit	6.5"	6"	6"
12" Unit	6.5"	6"	12"
M. Plate	8"	8"	

Specifications subject to change without notice.

EPA Device Manufacturer Establishment No. 73316-TX-1

Visit <http://www.dustfree.com/testing> for a list of micro-organisms inactivated by Dust Free® products.

The product and technologies described are not medical devices, and are not intended to diagnose, treat, cure, or prevent any disease or illness.



Date: _____

Engineer: _____

Job Name: _____

Contractor: _____

Location: _____

Submitted By: _____